

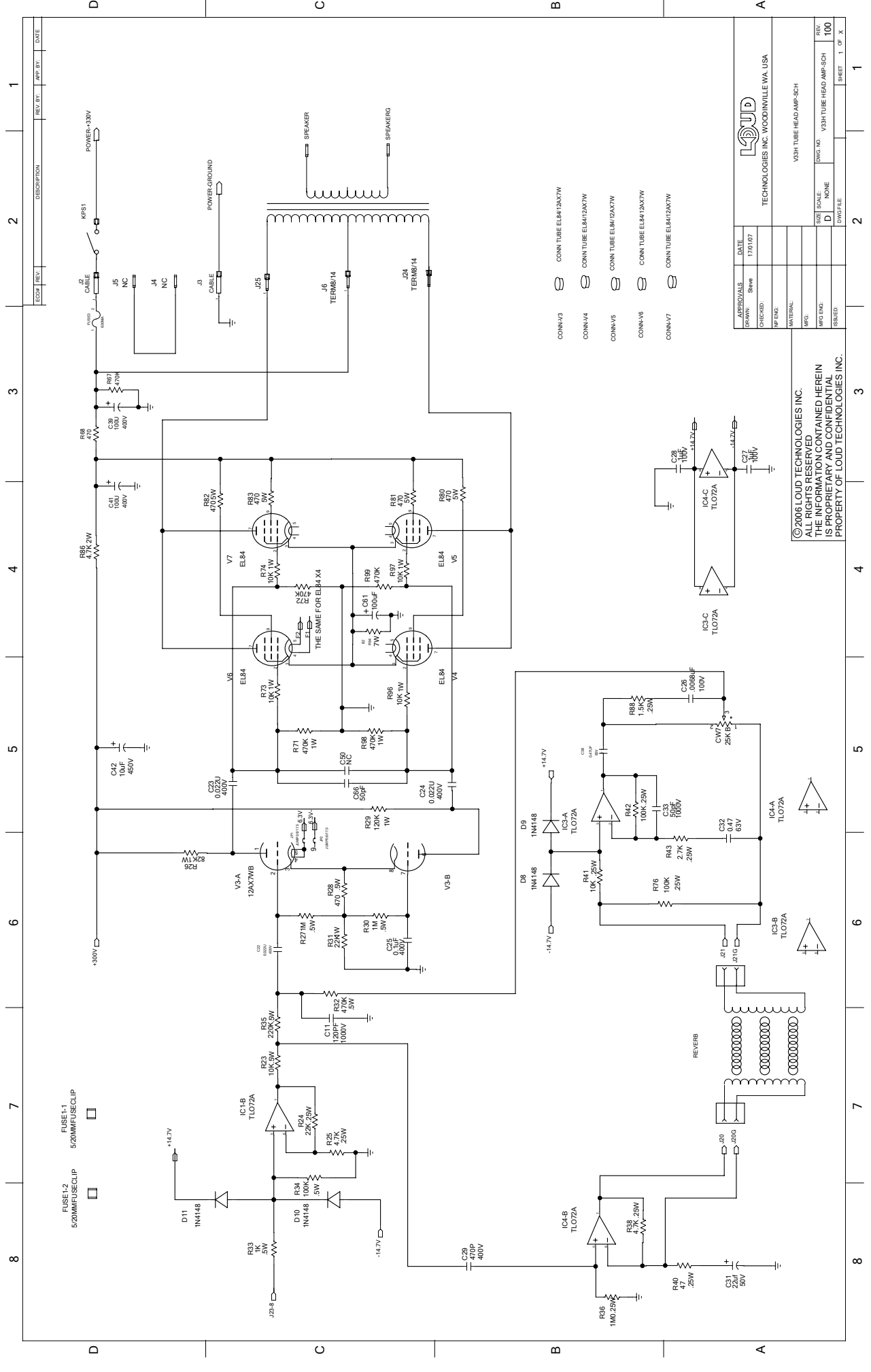
APPROVALS	DATE	TECHNOLOGIES INC. WOODINVILLE WA USA
DESIGN	11/2/07	
CHECKED		
MATERIAL		
MFG		
MFG ENG		
SALDO		

© 2006 LOUD TECHNOLOGIES INC.
 ALL RIGHTS RESERVED
 THE INFORMATION CONTAINED HEREIN
 IS PROPRIETARY AND CONFIDENTIAL
 PROPERTY OF LOUD TECHNOLOGIES INC.

PCB	PCB FAB	DOUBLE 102	310x133MM	16MVA V33H AMP BOARD
002764-04				
CONN-V1				CONN TUBE EL1412X7W
CONN-V2				CONN TUBE EL1412X7W

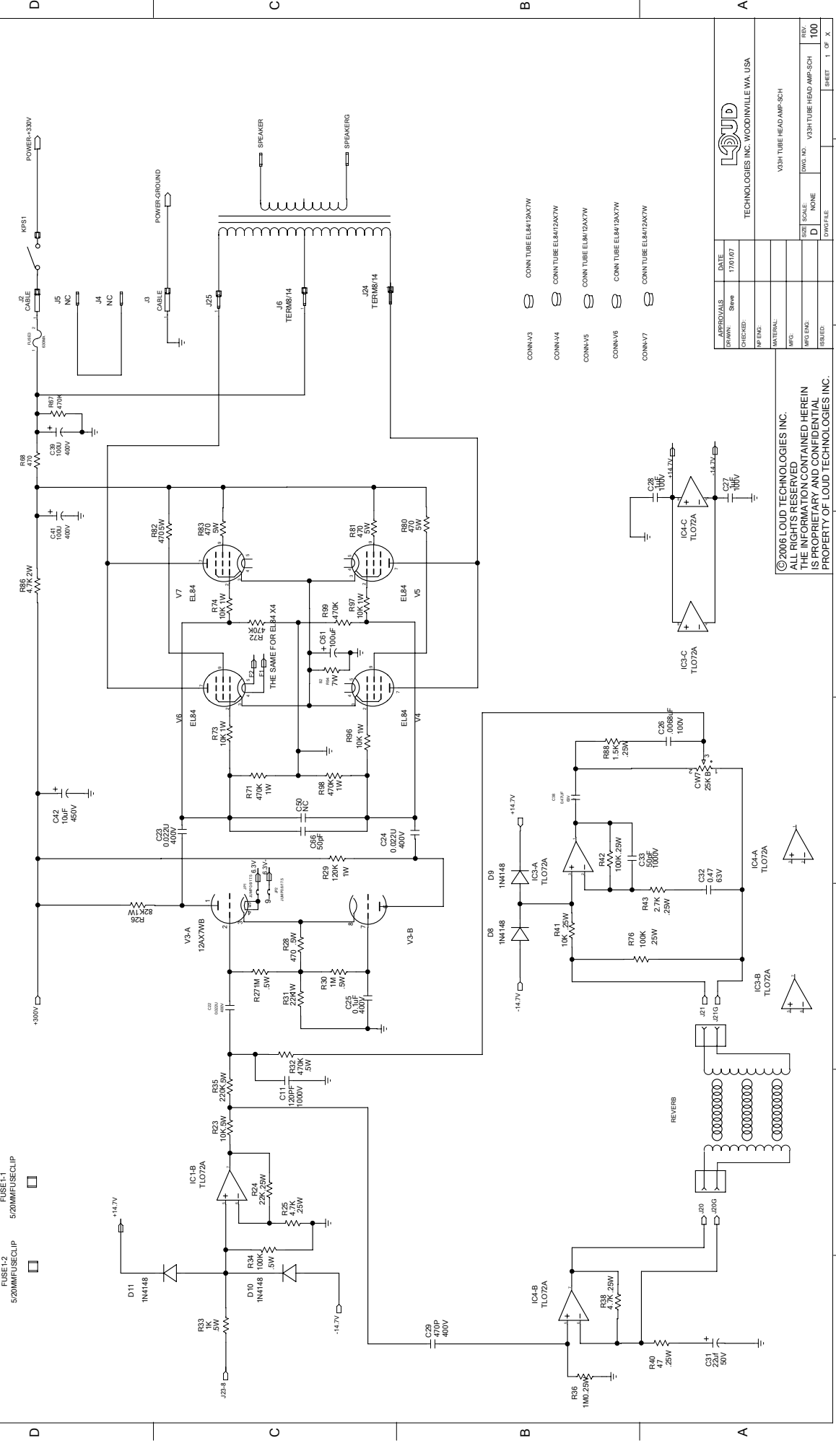
IC1-C	IC2-C	IC3-C

DATE	REV	DESCRIPTION	REV BY	DATE
11/2/07	1	RELEASE TO PRODUCTION	REV	2007.12.11



8 7 6 5 4 3 2 1

D C B A



8 7 6 5 4 3 2 1

D C B A

© 2006 LOUD TECHNOLOGIES INC.
 ALL RIGHTS RESERVED
 NO INFORMATION CONTAINED HEREIN
 IS TO BE DISSEMINATED OR REPRODUCED
 WITHOUT THE WRITTEN PERMISSION
 PROPERTY OF LOUD TECHNOLOGIES INC.



TECHNOLOGIES INC. WOODINVILLE WA USA

V33H TUBE HEAD AMP-SCH

REV	DATE	DESCRIPTION	APP BY	DATE
100				
1				